

CLIENT

Teachers Investment fund

CONSULTANT

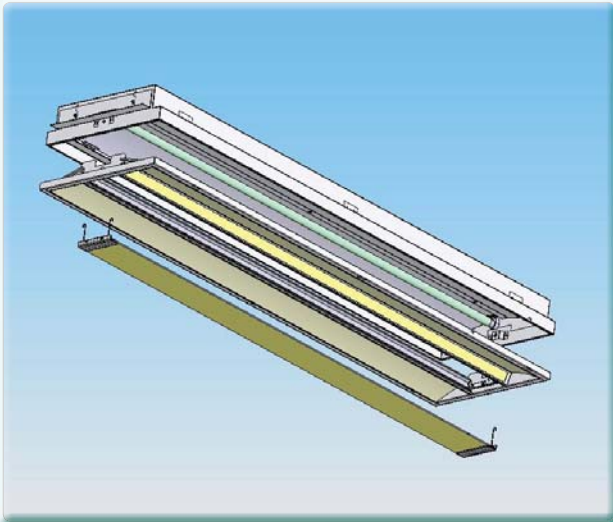
BCHF

PRODUCT

DS FR 3228 Range

ELECTRICAL CONTRACTOR

Trilectric



- Designerlite DS II linear luminaire to suit non-standard dimension SAS 330 ceiling, with central micro prism and side light generators.
- 1-10V dimming ballast was used as existing lighting control system required this.
- Due to our flexible manufacture although the ceiling was a non-standard installation client was able to utilise the existing ceiling system.
- 800 fittings installed.